

INTERNATIONAL STANDARD

NORME INTERNATIONALE

**Electric and optical fibre cables – Test methods for non-metallic materials –
Part 501: Mechanical tests – Tests for determining the mechanical properties
of insulating and sheathing compounds**

**Câbles électriques et à fibres optiques – Méthodes d'essai pour les matériaux
non-métalliques –
Partie 501: Essais mécaniques – Détermination des propriétés mécaniques
des mélanges pour les enveloppes isolantes et les gaines**



THIS PUBLICATION IS COPYRIGHT PROTECTED

Copyright © 2012 IEC, Geneva, Switzerland

All rights reserved. Unless otherwise specified, no part of this publication may be reproduced or utilized in any form or by any means, electronic or mechanical, including photocopying and microfilm, without permission in writing from either IEC or IEC's member National Committee in the country of the requester.

If you have any questions about IEC copyright or have an enquiry about obtaining additional rights to this publication, please contact the address below or your local IEC member National Committee for further information.

Droits de reproduction réservés. Sauf indication contraire, aucune partie de cette publication ne peut être reproduite ni utilisée sous quelque forme que ce soit et par aucun procédé, électronique ou mécanique, y compris la photocopie et les microfilms, sans l'accord écrit de la CEI ou du Comité national de la CEI du pays du demandeur.

Si vous avez des questions sur le copyright de la CEI ou si vous désirez obtenir des droits supplémentaires sur cette publication, utilisez les coordonnées ci-après ou contactez le Comité national de la CEI de votre pays de résidence.

IEC Central Office
3, rue de Varembe
CH-1211 Geneva 20
Switzerland

Tel.: +41 22 919 02 11
Fax: +41 22 919 03 00
info@iec.ch
www.iec.ch

About the IEC

The International Electrotechnical Commission (IEC) is the leading global organization that prepares and publishes International Standards for all electrical, electronic and related technologies.

About IEC publications

The technical content of IEC publications is kept under constant review by the IEC. Please make sure that you have the latest edition, a corrigenda or an amendment might have been published.

Useful links:

IEC publications search - www.iec.ch/searchpub

The advanced search enables you to find IEC publications by a variety of criteria (reference number, text, technical committee,...).

It also gives information on projects, replaced and withdrawn publications.

IEC Just Published - webstore.iec.ch/justpublished

Stay up to date on all new IEC publications. Just Published details all new publications released. Available on-line and also once a month by email.

Electropedia - www.electropedia.org

The world's leading online dictionary of electronic and electrical terms containing more than 30 000 terms and definitions in English and French, with equivalent terms in additional languages. Also known as the International Electrotechnical Vocabulary (IEV) on-line.

Customer Service Centre - webstore.iec.ch/csc

If you wish to give us your feedback on this publication or need further assistance, please contact the Customer Service Centre: csc@iec.ch.

A propos de la CEI

La Commission Electrotechnique Internationale (CEI) est la première organisation mondiale qui élabore et publie des Normes internationales pour tout ce qui a trait à l'électricité, à l'électronique et aux technologies apparentées.

A propos des publications CEI

Le contenu technique des publications de la CEI est constamment revu. Veuillez vous assurer que vous possédez l'édition la plus récente, un corrigendum ou amendement peut avoir été publié.

Liens utiles:

Recherche de publications CEI - www.iec.ch/searchpub

La recherche avancée vous permet de trouver des publications CEI en utilisant différents critères (numéro de référence, texte, comité d'études,...).

Elle donne aussi des informations sur les projets et les publications remplacées ou retirées.

Just Published CEI - webstore.iec.ch/justpublished

Restez informé sur les nouvelles publications de la CEI. Just Published détaille les nouvelles publications parues. Disponible en ligne et aussi une fois par mois par email.

Electropedia - www.electropedia.org

Le premier dictionnaire en ligne au monde de termes électroniques et électriques. Il contient plus de 30 000 termes et définitions en anglais et en français, ainsi que les termes équivalents dans les langues additionnelles. Egalement appelé Vocabulaire Electrotechnique International (VEI) en ligne.

Service Clients - webstore.iec.ch/csc

Si vous désirez nous donner des commentaires sur cette publication ou si vous avez des questions contactez-nous: csc@iec.ch.

INTERNATIONAL STANDARD

NORME INTERNATIONALE

**Electric and optical fibre cables – Test methods for non-metallic materials –
Part 501: Mechanical tests – Tests for determining the mechanical properties
of insulating and sheathing compounds**

**Câbles électriques et à fibres optiques – Méthodes d'essai pour les matériaux
non-métalliques –
Partie 501: Essais mécaniques – Détermination des propriétés mécaniques
des mélanges pour les enveloppes isolantes et les gaines**

INTERNATIONAL
ELECTROTECHNICAL
COMMISSION

COMMISSION
ELECTROTECHNIQUE
INTERNATIONALE

PRICE CODE
CODE PRIX



ICS 29.035.01; 29.060.20

ISBN 978-2-88912-975-1

**Warning! Make sure that you obtained this publication from an authorized distributor.
Attention! Veuillez vous assurer que vous avez obtenu cette publication via un distributeur agréé.**

CONTENTS

FOREWORD.....	3
INTRODUCTION.....	5
1 Scope.....	6
2 Normative references	6
3 Terms and definitions	6
4 Test method	7
4.1 General.....	7
4.2 Insulation	7
4.2.1 General	7
4.2.2 Sampling	7
4.2.3 Preparation and conditioning of test pieces	7
4.2.4 Determination of cross-sectional area.....	9
4.2.5 Ageing treatment	11
4.2.6 Tensile testing procedure	11
4.2.7 Expression of results	11
4.3 Sheath	12
4.3.1 General	12
4.3.2 Sampling	12
4.3.3 Preparation and conditioning of test pieces	12
4.3.4 Determination of cross-sectional area.....	12
4.3.5 Ageing treatment	13
4.3.6 Tensile testing procedure	13
4.3.7 Expression of results	13
5 Test report.....	13
Annex A (informative) Principle of operation of a typical machine for preparing test pieces.....	16
Bibliography.....	17
Figure 1 – Dumb-bell test piece	14
Figure 2 – Small dumb-bell test piece	14
Figure 3 – Punch end showing groove	14
Figure 4 – Test pieces cut by grooved punch	15
Figure A.1 – Machine for preparing test pieces	16

INTERNATIONAL ELECTROTECHNICAL COMMISSION

**ELECTRIC AND OPTICAL FIBRE CABLES –
TEST METHODS FOR NON-METALLIC MATERIALS –****Part 501: Mechanical tests –
Tests for determining the mechanical properties
of insulating and sheathing compounds**

FOREWORD

- 1) The International Electrotechnical Commission (IEC) is a worldwide organization for standardization comprising all national electrotechnical committees (IEC National Committees). The object of IEC is to promote international co-operation on all questions concerning standardization in the electrical and electronic fields. To this end and in addition to other activities, IEC publishes International Standards, Technical Specifications, Technical Reports, Publicly Available Specifications (PAS) and Guides (hereafter referred to as "IEC Publication(s)"). Their preparation is entrusted to technical committees; any IEC National Committee interested in the subject dealt with may participate in this preparatory work. International, governmental and non-governmental organizations liaising with the IEC also participate in this preparation. IEC collaborates closely with the International Organization for Standardization (ISO) in accordance with conditions determined by agreement between the two organizations.
- 2) The formal decisions or agreements of IEC on technical matters express, as nearly as possible, an international consensus of opinion on the relevant subjects since each technical committee has representation from all interested IEC National Committees.
- 3) IEC Publications have the form of recommendations for international use and are accepted by IEC National Committees in that sense. While all reasonable efforts are made to ensure that the technical content of IEC Publications is accurate, IEC cannot be held responsible for the way in which they are used or for any misinterpretation by any end user.
- 4) In order to promote international uniformity, IEC National Committees undertake to apply IEC Publications transparently to the maximum extent possible in their national and regional publications. Any divergence between any IEC Publication and the corresponding national or regional publication shall be clearly indicated in the latter.
- 5) IEC itself does not provide any attestation of conformity. Independent certification bodies provide conformity assessment services and, in some areas, access to IEC marks of conformity. IEC is not responsible for any services carried out by independent certification bodies.
- 6) All users should ensure that they have the latest edition of this publication.
- 7) No liability shall attach to IEC or its directors, employees, servants or agents including individual experts and members of its technical committees and IEC National Committees for any personal injury, property damage or other damage of any nature whatsoever, whether direct or indirect, or for costs (including legal fees) and expenses arising out of the publication, use of, or reliance upon, this IEC Publication or any other IEC Publications.
- 8) Attention is drawn to the Normative references cited in this publication. Use of the referenced publications is indispensable for the correct application of this publication.
- 9) Attention is drawn to the possibility that some of the elements of this IEC Publication may be the subject of patent rights. IEC shall not be held responsible for identifying any or all such patent rights.

International Standard IEC 60811-501 has been prepared by IEC technical committee 20: Electric cables.

This Part 501 of IEC 60811 cancels and replaces Clause 9 of IEC 60811-1-1:1993, which is withdrawn. Full details of the replacements are shown in Annex A of IEC 60811-100:2012.

There is one significant technical change with respect to the previous edition:

- the requirements for the (minimum) thickness of dumb-bell test pieces have changed.

See also the Foreword to IEC 60811-100.

The text of this standard is based on the following documents:

FDIS	Report on voting
20/1297/FDIS	20/1346/RVD

Full information on the voting for the approval of this standard can be found in the report on voting indicated in the above table.

This publication has been drafted in accordance with the ISO/IEC Directives, Part 2.

This part of IEC 60811 shall be used in conjunction with IEC 60811-100.

A list of all the parts in the IEC 60811 series, published under the general title *Electric and optical fibre cables – Test methods for non-metallic materials*, can be found on the IEC website.

The committee has decided that the contents of this publication will remain unchanged until the stability date indicated on the IEC web site under "<http://webstore.iec.ch>" in the data related to the specific publication. At this date, the publication will be

- reconfirmed,
- withdrawn,
- replaced by a revised edition, or
- amended.

INTRODUCTION

The IEC 60811 series specifies the test methods to be used for testing non-metallic materials of all types of cables. These test methods are intended to be referenced in standards for cable construction and for cable materials.

NOTE 1 Non-metallic materials are typically used for insulating, sheathing, bedding, filling or taping within cables.

NOTE 2 These test methods are accepted as basic and fundamental and have been developed and used over many years principally for the materials in all energy cables. They have also been widely accepted and used for other cables, in particular optical fibre cables, communication and control cables and cables for ships and offshore applications.

ELECTRIC AND OPTICAL FIBRE CABLES – TEST METHODS FOR NON-METALLIC MATERIALS –

Part 501: Mechanical tests – Tests for determining the mechanical properties of insulating and sheathing compounds

1 Scope

This Part 501 of IEC 60811 gives the procedure for determining the mechanical properties, which typically applies to cross-linked and thermoplastic compounds used for insulating and sheathing materials.

2 Normative references

The following documents, in whole or in part, are normatively referenced in this document and are indispensable for its application. For dated references, only the edition cited applies. For undated references, the latest edition of the referenced document (including any amendments) applies.

IEC 60811-100:2012, *Electric and optical fibre cables – Test methods for non-metallic materials – Part 100: General*

IEC 60811-201, *Electric and optical fibre cables – Test methods for non-metallic materials – Part 201: General tests – Measurement of insulation thickness*

IEC 60811-202, *Electric and optical fibre cables – Test methods for non-metallic materials – Part 202: General tests – Measurement of thickness of non-metallic sheaths*

IEC 60811-203, *Electric and optical fibre cables – Test methods for non-metallic materials – Part 203: General tests – Measurement of overall dimensions*

IEC 60811-401, *Electric and optical fibre cables – Test methods for non-metallic materials – Part 401: Miscellaneous tests – Thermal ageing methods – Ageing in an air oven*

IEC 60811-404, *Electric and optical fibre cables – Test methods for non-metallic materials – Part 404: Miscellaneous tests – Mineral oil immersion tests for sheaths made with cross-linked compounds*

IEC 60811-606, *Electric and optical fibre cables – Test methods for non-metallic materials – Part 606: Physical tests – Methods for determining the density*

3 Terms and definitions

For the purposes of this document, the terms and definitions given in IEC 60811-100, together with the following, apply.

3.1

maximum tensile force

highest value reached by the load during the test

3.2

tensile stress

tensile force per unit of the cross-sectional area of the unstretched test piece

3.3

tensile strength

maximum tensile stress recorded in extending the test piece to breaking point

3.4

elongation at break

increase of the length between the reference marks of the test piece, expressed as the percentage of the length between the reference marks of the unstretched test piece at breaking point

4 Test method

4.1 General

This part of IEC 60811 shall be used in conjunction with IEC 60811-100.

Unless otherwise specified, before any test, all test pieces, aged and unaged, shall be kept for at least 3 h at a temperature of (23 ± 5) °C.

4.2 Insulation

4.2.1 General

These tests are to determine the tensile strength and elongation at break of the insulating material (exclusive of any semi-conducting layers) of the cable in the condition as manufactured (i.e. without any ageing treatment) and, when required, after one or more accelerated ageing treatment(s), which are prescribed in the relevant cable standard.

When the ageing treatment is to be carried out on prepared test pieces (in accordance with IEC 60811-401), the test pieces for the ageing treatment shall be from positions adjacent to the test pieces used for the test without ageing and the tensile tests on the aged and unaged test pieces shall be made in immediate succession.

NOTE Where further increased test reliability is necessary, it is recommended that the tests on aged and unaged test pieces are performed by the same person using the same testing method and the same apparatus, in the same laboratory.

4.2.2 Sampling

One sample of each core to be tested (or of the insulation from each core to be tested) shall be taken of sufficient size to provide a minimum of five test pieces each for the tensile tests without ageing and the tensile tests after each of the required ageing treatments, bearing in mind that a 100 mm length is needed for the preparation of each test piece.

The cores of unsheathed flat cables shall not be separated.

Any sample that shows signs of mechanical damage shall not be used for the test.

4.2.3 Preparation and conditioning of test pieces

a) Conditioning of test pieces shall be carried out as follows:

1) Elevated temperature conditioning

NOTE 1 Elevated temperature conditioning is not an ageing treatment. It is used as a means of ensuring stable and consistent test pieces when required. It is used a) when called for in the relevant cable standard, or b) if there is a doubt or disagreement about a result and the test needs to be repeated. In

either case, the conditioning applies only to the test piece as taken from the cable before any subsequent treatment (ageing, compatibility test, oil immersion etc).

Where conditioning at elevated temperature is used, such conditioning shall be carried out as follows:

- for dumb-bells,
 - (A) after the removal of the insulation from the cable and removal of semi-conducting layers (if any) but before the cutting of strips;
 - (B) after grinding (or cutting) to obtain parallel surfaces.

Where grinding (or cutting) is not needed, the conditioning shall be performed at the point in the test protocol according to (A);

- for tubular test pieces, such conditioning shall be carried out after removal of the conductor, and any separator, but before applying the reference marks, if any, for measurement of the extension.

Where the relevant cable standard calls for conditioning at elevated temperature, it shall be for the time and temperature given in that standard. Where, in case of doubt, the test has to be repeated, the conditioning shall be 24 h at $(70 \pm 2) ^\circ\text{C}$, or a lower temperature corresponding to the maximum operating temperature of the conductor.

2) Room temperature conditioning

Before determination of the cross-sectional area, all test pieces shall be protected from direct sunlight and maintained for at least 3 h at a temperature of $(23 \pm 5) ^\circ\text{C}$, except for thermoplastic insulating materials which shall be kept at $(23 \pm 2) ^\circ\text{C}$.

b) Dumb-bell test pieces

Dumb-bell test pieces shall be used whenever possible. They shall be prepared from samples of insulation removed from the conductor, cut open in the direction of the axis of the core.

Semi-conducting layers, if any, inside and/or outside the insulation, shall be removed mechanically, i.e. without using a solvent.

Each sample of insulation shall be cut into strips of an appropriate length. The strips shall be marked to identify the sample from which they are cut and their positions relative to each other in the original sample.

The strips of insulation shall be ground or cut, so as to obtain two parallel smooth surfaces between the reference marks mentioned below, care being taken to avoid undue heating. An example of a cutting machine is given in Annex A. For polyethylene (PE) and polypropylene (PP) insulation, cutting only, not grinding, shall be employed. After cutting or grinding, including any removal of burrs, the thickness of the strips shall not be less than 0,8 mm and not more than 2,0 mm. If it is not possible to prepare dumb-bell test pieces that comply with the minimum thickness of 0,8 mm, then tubular test pieces shall be used. If tubular test pieces cannot be prepared, then dumb-bells thinner than 0,8 mm may be used, but the rate of separation shall be 25 mm/min.

NOTE 2 The test report should also include the fact that non-compliant dumb-bells were used and that the result is indicative.

NOTE 3 For certain tests, a minimum thickness may be required, for instance for the ozone resistance test (IEC 60811-403) and the mineral oil immersion test (IEC 60811-404).

A dumb-bell test piece, in accordance with Figure 1, shall then be punched from each prepared strip of insulation, or if possible, two dumb-bell test pieces shall be punched side by side.

In order to improve the reliability of the results, the following is recommended:

- the punch shall be very sharp to minimize imperfections in the test piece;
- a cardboard or other suitable support shall be placed between the strip and the base plate. This support shall be marked during punching, but not completely cut through by the punch;
- burrs on the sides of the test piece shall be avoided.

For materials where punching results in burrs, the following method may be used:

- 1) each end of the punch shall have a groove approximately 2,5 mm wide and 2,5 mm high (see Figure 3);
- 2) the cut dumb-bell test pieces shall remain attached at both ends with the strip previously prepared according to the requirements of 4.2.3 b) (see Figure 4);
- 3) with the machine given in Annex A, an additional 0,10 mm to 0,15 mm thickness can be cut away to remove possible burrs resulting from the dumb-bell punch. When this operation is completed, the dumb-bell test pieces shall be cut through at their ends in order to remove them from the strip.

When the diameter of the core is too small to allow the dumb-bell to be cut in accordance with Figure 1, then a smaller dumb bell test piece in accordance with Figure 2, shall be punched from each prepared strip.

The central 20 mm for the larger dumb-bells or 10 mm for the smaller dumb-bells shall be marked on each test piece, immediately before the tensile test.

NOTE 4 Where a contact extensometer is used, the pre set grips at the required spacing are deemed to constitute a mark.

Dumb-bell test pieces with incomplete ends are permitted, provided that the breaking point occurs between the reference marks.

c) Tubular test pieces

Tubular test pieces shall be used only when the dimensions of the core are such that it is not possible to prepare dumb-bell test pieces.

The samples of core shall be cut into pieces approximately 100 mm long and the conductor and any outer coverings removed, care being taken not to damage the insulation. The tubes shall be marked to identify the sample from which they were prepared and their relative positions in the sample.

Careful removal of the conductor can be facilitated by the use of one or more of the following operations:

- 1) by elongation of the rigid conductors;
- 2) by careful rolling of the core under low mechanical force;
- 3) in the case of stranded or flexible conductors, by first removing one or more of the central strands or wires.

After removal of the conductor, the separators, if any, are removed. In case of difficulty, one of the following operations may be used:

- immersion in water, in the case of paper separators;
- immersion in ethyl alcohol, in the case of polyethylene terephthalate separators;
- rolling of the insulation on a smooth surface.

The central 20 mm shall be marked immediately before the tensile test.

NOTE 5 Where a contact extensometer is used, the pre set grips at the required spacing are deemed to constitute a mark.

The presence of pieces of separator remaining inside the test piece can be observed during the tensile tests by formation of irregularities in the test piece during elongation.

In such cases, the result shall be rejected.

4.2.4 Determination of cross-sectional area

a) Dumb-bell test piece

The cross-sectional area of each test piece is the product of the common width and the measured individual minimum thickness which shall be determined as follows.

For the width:

- the common width is the minimum width of three, randomly selected test pieces;
- if there is doubt about the uniformity of the width, this shall be measured at three positions on the top and the bottom side of the three test pieces. The mean of the top and bottom side measurements shall be calculated for each position. The common width shall be the minimum of the nine mean values determined on the three test pieces;
- in the case of further doubt, the width is measured on each individual test piece.

For the thickness:

- the thickness of each test piece is the minimum of three thickness measurements carried out in the area to be stretched.

The measurements shall be carried out by an optical instrument or by a dial gauge giving a contact pressure not exceeding 0,07 N/mm².

The instrument shall be capable of measuring the thickness with an error of not more than 0,01 mm and the width with an error of not more than 0,04 mm.

In case of doubt, where technically possible, an optical instrument shall be used. Alternatively, a dial gauge with a maximum contact pressure of 0,02 N/mm² may be used.

NOTE An appropriate curved foot of the dial gauge should be used if the central part of the dumb-bell is still curved.

b) Tubular test piece

In the middle of the sample being used to prepare the test pieces, a piece shall be taken to determine the cross-sectional area, *A*, in square millimetres, of the test piece, using one of the following methods. In case of doubt, the second method b2) shall be used.

- b1) From the dimensions, using the formula:

$$A = \pi (D - \delta) \delta$$

where

δ is the mean value of the thickness of the insulation, in millimetres, determined as specified in IEC 60811-201 and rounded off to two decimal places;

D is the mean value of the outer diameter of the test piece, in millimetres, determined as specified in test method of IEC 60811-203 and rounded off to two decimal places.

- b2) From the density, the mass and the length, using the formula:

$$A = \frac{1\,000\,m}{d \times l}$$

where

m is the mass of the test piece, in grams, to three decimal places;

d is the density, measured in accordance with IEC 60811-606 on an additional sample of the same insulation (without ageing) in grams per cubic centimetre, to three decimal places;

l is the length, in millimetres, to one decimal place.

- b3) From the volume and the length, the volume being determined by means of immersion in for example ethyl alcohol using the formula:

$$A = \frac{V}{l}$$

where

V is the volume, in cubic millimetres, to two decimal places;

l is the length, in millimetres, to one decimal place.

Care shall be taken to avoid air bubbles in or on the surface of the test piece during immersion.

c) Sequence of determination of cross-sectional area and ageing

For test pieces which are to be aged, the cross-sectional area shall be determined before ageing treatment, unless the insulation is to be aged in the presence of the conductor.

4.2.5 Ageing treatment

Each required ageing treatment shall be carried out on a minimum of five test pieces (see 4.2.2) in accordance with IEC 60811-401, under the conditions specified in the relevant cable standard.

4.2.6 Tensile testing procedure

The test procedure shall be as follows:

a) Test temperature

The test shall be carried out at a temperature of (23 ± 5) °C. In case of doubt for thermoplastic insulation, the test shall be carried out at (23 ± 2) °C.

b) Distance between the grips and rate of separation

The grips of the tensile testing machine may be either of a self-tightening type or not.

The total length between the grips shall be about

- 34 mm for dumb-bells as illustrated in Figure 2,
- 50 mm for dumb-bells as illustrated in Figure 1,
- 50 mm for tubes, if tested with self-tightening grips,
- 85 mm for tubes, if tested with non-self-tightening grips.

The rate of separation, except for PE and PP insulations, shall be (250 ± 50) mm/min and, in case of doubt, (25 ± 5) mm/min.

For PE and PP, or insulations containing these materials, the rate of separation shall be (25 ± 5) mm/min, but for routine tests, separation rates up to (250 ± 50) mm/min are permitted.

c) Measurements

The maximum tensile force during the test shall be measured and recorded and the distance between the two reference marks at breaking point shall be measured on the same test piece.

An unsatisfactory result due to any test piece breaking due to damage in the grips shall be ignored. In this event, at least four valid results shall be obtained in order to calculate the tensile strength and elongation at break; otherwise the test shall be repeated.

4.2.7 Expression of results

Calculate the tensile strength and the elongation at break according to the definitions given in 3.3 and 3.4, respectively.

The median value of the results shall be determined.

4.3 Sheath

4.3.1 General

These tests are to determine the tensile strength and elongation at break of the sheathing material of the cable in the condition as manufactured (i.e. without any ageing treatment) and, when required, after one or more accelerated ageing treatment(s), which are prescribed in the relevant cable standard.

When the ageing treatment has to be carried out on prepared test pieces (in accordance with IEC 60811-401 or with IEC 60811-404), the test pieces for the ageing treatment shall be from positions adjacent to the test pieces used for the test without ageing, and the tensile tests on the aged and unaged test pieces shall be in immediate succession.

NOTE Where further increased reliability is necessary, it is recommended that the tests on aged and unaged test pieces are performed by the same person using the same testing method and the same apparatus, in the same laboratory.

4.3.2 Sampling

One sample of the cable or cord to be tested, or of the sheath removed from the cable, shall be taken of sufficient size to provide a minimum of five test pieces for the tensile tests without ageing and the required number of test pieces for each of the tensile tests after ageing specified for the sheathing material in the standard for the type of cable in question, bearing in mind that about 100 mm is needed for the preparation of each test piece.

Any sample that shows signs of mechanical damage shall not be used for the tests.

4.3.3 Preparation and conditioning of test pieces

Test pieces shall be prepared from the samples of sheath in the same way as specified for insulation in 4.2.3.

In the preparation of dumb-bell test pieces, a strip shall be cut from the sheath in the direction of the axis of the cables. All other cable components shall be removed from the strip. If the strip has ridges or imprints, these shall be removed by cutting or grinding. For PE and PP and similar sheaths, only cutting is allowed.

NOTE For PE sheaths, the thickness of the dumb-bell does not need to be reduced to 2,0 mm, when the full sheath thickness is greater, provided that the test pieces are smooth on both surfaces.

In the preparation of tubular test pieces, all the components of the cable inside the sheath, including cores, fillers and inner covering, shall be removed.

For conditioning of the test pieces, see 4.2.3 a).

4.3.4 Determination of cross-sectional area

The cross-sectional area of each test piece shall be determined by the same method as for the insulation specified in 4.2.4, with the following modifications for tubular test pieces:

- the thickness and diameter of the sheath, measured in accordance with IEC 60811-202 for thickness, and to IEC 60811-203 for diameter, shall be used in the method b1) of 4.2.4;
- the density shall be measured on an additional piece of the same sheath in the method b2) of 4.2.4.

NOTE The b2) method should not be used for multi-layer materials. Methods b1) and b3) are valid for multi-layer materials.

4.3.5 Ageing treatment

Each required ageing treatment shall be carried out on a minimum of five test pieces (see 4.3.2) in accordance with IEC 60811-401, under the conditions specified in the standard for the particular type of cable.

4.3.6 Tensile testing procedure

In accordance with 4.2.6.

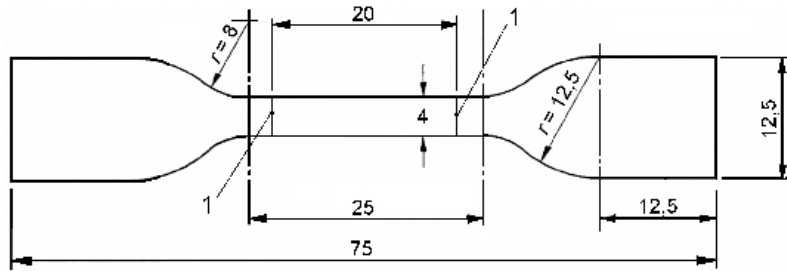
4.3.7 Expression of results

In accordance with 4.2.7.

5 Test report

The test report shall be in accordance with that given in IEC 60811-100.

Dimension in millimeters



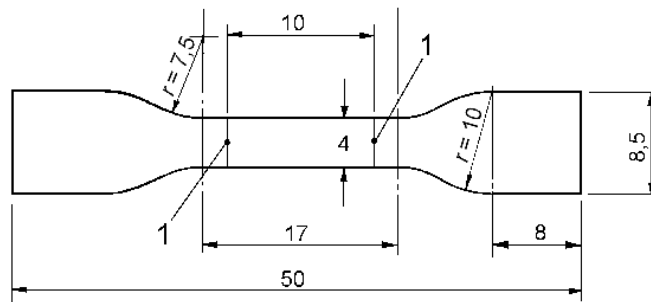
IEC 260/12

Key

1 reference marks

Figure 1 – Dumb-bell test piece

Dimensions in millimeters



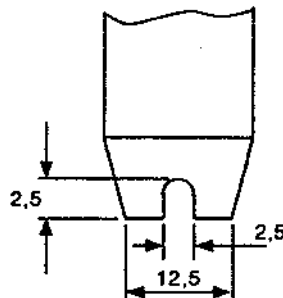
IEC 261/12

Key

1 reference marks

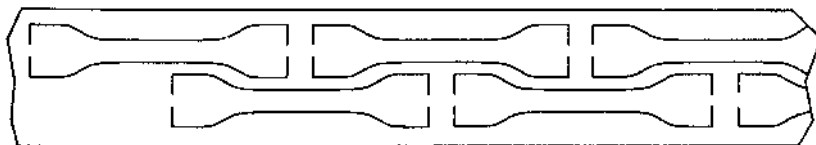
Figure 2 – Small dumb-bell test piece

Dimensions in millimeters



IEC 265/12

Figure 3 – Punch end showing groove



IEC 266/12

Figure 4 – Test pieces cut by grooved punch

Annex A (informative)

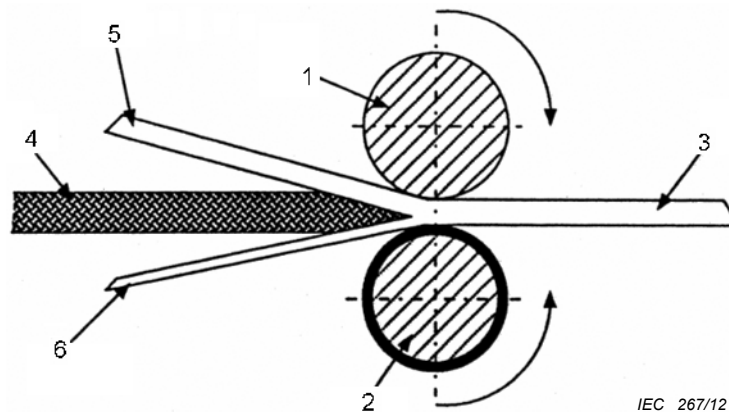
Principle of operation of a typical machine for preparing test pieces

Two rolls, one made of steel and partly grooved (1), and the other, in rubber-tyred steel (2), drive the strip (3) against a highly sharpened fixed, or moving blade (4) (surgical scalpel quality).

The strip is longitudinally cut into two parts: part (5) from which the test piece is cut, and part (6) which is rejected.

NOTE The thickness of part (6) can be limited to 0,1 mm if necessary. (For this purpose, consideration should be given to the behaviour of the material prepared and the preservation of the blade sharpness.)

When the strip (3) has marks of tearing or scratching, which may induce a premature break, it is recommended that part (6) be cut and rejected from both sides.



Key

- | | | | |
|---|----------------------------|---|-----------------------------------|
| 1 | steel roll, partly grooved | 4 | blade, fixed or moving |
| 2 | steel roll, rubber-tyred | 5 | part of strip used for test piece |
| 3 | strip | 6 | rejected part of strip |

Figure A.1 – Machine for preparing test pieces

Bibliography

IEC 60811-1-1:1993, *Common test methods for insulating and sheathing materials of electric cables – Part 1: Methods for general application – Section 1: Measurement of thickness and overall dimensions – Tests for determining the mechanical properties*
(withdrawn)

SOMMAIRE

AVANT-PROPOS.....	19
INTRODUCTION.....	21
1 Domaine d'application	22
2 Références normatives.....	22
3 Termes et définitions	22
4 Méthode d'essai	23
4.1 Généralités.....	23
4.2 Enveloppe isolante	23
4.2.1 Généralités.....	23
4.2.2 Echantillon	23
4.2.3 Préparation et conditionnement des éprouvettes	24
4.2.4 Détermination de la section	26
4.2.5 Traitement de vieillissement	27
4.2.6 Mode opératoire de l'essai de traction	27
4.2.7 Expression des résultats.....	28
4.3 Gaine	28
4.3.1 Généralités.....	28
4.3.2 Echantillon	28
4.3.3 Préparation et conditionnement des éprouvettes	28
4.3.4 Détermination de la section	29
4.3.5 Traitement de vieillissement	29
4.3.6 Mode opératoire de l'essai de résistance à la traction.....	29
4.3.7 Expression des résultats.....	29
5 Rapport d'essai	29
Annexe A (informative) Principe de fonctionnement d'une machine type pour la préparation des éprouvettes	32
Bibliographie.....	33
Figure 1 – Epreuve en forme d'haltère	30
Figure 2 – Petite éprouvette en forme d'haltère	30
Figure 3 – Emporte-pièce et encoche.....	30
Figure 4 – Eprouvettes découpées à l'emporte-pièce	31
Figure A.1 – Machine pour la préparation des éprouvettes.....	32

COMMISSION ÉLECTROTECHNIQUE INTERNATIONALE

**CÂBLES ÉLECTRIQUES ET À FIBRES OPTIQUES –
MÉTHODES D'ESSAI POUR LES MATÉRIAUX NON-MÉTALLIQUES –****Partie 501: Essais mécaniques –
Détermination des propriétés mécaniques des mélanges
pour les enveloppes isolantes et les gaines**

AVANT-PROPOS

- 1) La Commission Electrotechnique Internationale (CEI) est une organisation mondiale de normalisation composée de l'ensemble des comités électrotechniques nationaux (Comités nationaux de la CEI). La CEI a pour objet de favoriser la coopération internationale pour toutes les questions de normalisation dans les domaines de l'électricité et de l'électronique. A cet effet, la CEI – entre autres activités – publie des Normes internationales, des Spécifications techniques, des Rapports techniques, des Spécifications accessibles au public (PAS) et des Guides (ci-après dénommés "Publication(s) de la CEI"). Leur élaboration est confiée à des comités d'études, aux travaux desquels tout Comité national intéressé par le sujet traité peut participer. Les organisations internationales, gouvernementales et non gouvernementales, en liaison avec la CEI, participent également aux travaux. La CEI collabore étroitement avec l'Organisation Internationale de Normalisation (ISO), selon des conditions fixées par accord entre les deux organisations.
- 2) Les décisions ou accords officiels de la CEI concernant les questions techniques représentent, dans la mesure du possible, un accord international sur les sujets étudiés, étant donné que les Comités nationaux de la CEI intéressés sont représentés dans chaque comité d'études.
- 3) Les Publications de la CEI se présentent sous la forme de recommandations internationales et sont agréées comme telles par les Comités nationaux de la CEI. Tous les efforts raisonnables sont entrepris afin que la CEI s'assure de l'exactitude du contenu technique de ses publications; la CEI ne peut pas être tenue responsable de l'éventuelle mauvaise utilisation ou interprétation qui en est faite par un quelconque utilisateur final.
- 4) Dans le but d'encourager l'uniformité internationale, les Comités nationaux de la CEI s'engagent, dans toute la mesure possible, à appliquer de façon transparente les Publications de la CEI dans leurs publications nationales et régionales. Toutes divergences entre toutes Publications de la CEI et toutes publications nationales ou régionales correspondantes doivent être indiquées en termes clairs dans ces dernières.
- 5) La CEI elle-même ne fournit aucune attestation de conformité. Des organismes de certification indépendants fournissent des services d'évaluation de conformité et, dans certains secteurs, accèdent aux marques de conformité de la CEI. La CEI n'est responsable d'aucun des services effectués par les organismes de certification indépendants.
- 6) Tous les utilisateurs doivent s'assurer qu'ils sont en possession de la dernière édition de cette publication.
- 7) Aucune responsabilité ne doit être imputée à la CEI, à ses administrateurs, employés, auxiliaires ou mandataires, y compris ses experts particuliers et les membres de ses comités d'études et des Comités nationaux de la CEI, pour tout préjudice causé en cas de dommages corporels et matériels, ou de tout autre dommage de quelque nature que ce soit, directe ou indirecte, ou pour supporter les coûts (y compris les frais de justice) et les dépenses découlant de la publication ou de l'utilisation de cette Publication de la CEI ou de toute autre Publication de la CEI, ou au crédit qui lui est accordé.
- 8) L'attention est attirée sur les références normatives citées dans cette publication. L'utilisation de publications référencées est obligatoire pour une application correcte de la présente publication.
- 9) L'attention est attirée sur le fait que certains des éléments de la présente Publication de la CEI peuvent faire l'objet de droits de brevet. La CEI ne saurait être tenue pour responsable de ne pas avoir identifié de tels droits de brevets et de ne pas avoir signalé leur existence.

La Norme internationale CEI 60811-501 a été établie par le comité d'études 20 de la CEI: Câbles électriques.

La présente Partie 501 de la CEI 60811 annule et remplace l'Article 9 de la CEI 60811-1-1:1993, qui est supprimée. L'ensemble des informations relatives aux remplacements figure dans l'Annexe A de la CEI 60811-100:2012.

Cette édition inclut la modification technique majeure suivante par rapport à l'édition précédente:

- les exigences relatives à l'épaisseur (minimale) des éprouvettes en forme d'haltère ont été modifiées.

Voir également l'avant-propos de la CEI 60811-100.

Le texte de cette norme est issu des documents suivants:

FDIS	Rapport de vote
20/1297/FDIS	20/1346/RVD

Le rapport de vote indiqué dans le tableau ci-dessus donne toute information sur le vote ayant abouti à l'approbation de cette norme.

Cette publication a été rédigée selon les Directives ISO/CEI, Partie 2.

La présente partie de la CEI 60811 doit être utilisée conjointement avec la CEI 60811-100.

Une liste de toutes les parties de la série CEI 60811, publiées sous le titre général *Câbles électriques et à fibres optiques – Méthodes d'essai pour les matériaux non-métalliques*, peut être consultée sur le site web de la CEI.

Le comité a décidé que le contenu de cette publication ne sera pas modifié avant la date de stabilité indiquée sur le site web de la CEI sous "<http://webstore.iec.ch>" dans les données relatives à la publication recherchée. A cette date, la publication sera

- reconduite,
- supprimée,
- remplacée par une édition révisée, ou
- amendée.

INTRODUCTION

La série CEI 60811 précise les méthodes à employer pour les essais des matériaux non-métalliques sur tous les types de câbles. Ces méthodes d'essai seront citées en référence dans les normes relatives à la construction des câbles et aux matériaux des câbles.

NOTE 1 Les matériaux non-métalliques sont généralement utilisés pour l'isolation, le gainage, le matelassage, le remplissage ou le rubanage des câbles.

NOTE 2 Ces méthodes d'essai sont reconnues comme fondamentales; elles ont été développées et utilisées durant de nombreuses années, principalement pour les matériaux dans tous les câbles de distribution d'énergie. Elles ont aussi été largement reconnues et utilisées pour d'autres types de câbles, en particulier les câbles à fibres optiques, les câbles de communication et de commande, ainsi que les câbles utilisés à bord des navires et dans les applications offshore.

CÂBLES ÉLECTRIQUES ET À FIBRES OPTIQUES – MÉTHODES D'ESSAI POUR LES MATÉRIAUX NON-MÉTALLIQUES –

Partie 501: Essais mécaniques – Détermination des propriétés mécaniques des mélanges pour les enveloppes isolantes et les gaines

1 Domaine d'application

La présente Partie 501 de la CEI 60811 décrit les méthodes pour la détermination des propriétés mécaniques, généralement applicables aux mélanges réticulés et thermoplastiques utilisés dans les matériaux d'isolation et de gainage.

2 Références normatives

Les documents suivants sont cités en référence de manière normative, en intégralité ou en partie, dans le présent document et sont indispensables pour son application. Pour les références datées, seule l'édition citée s'applique. Pour les références non datées, la dernière édition du document de référence s'applique (y compris les éventuels amendements).

CEI 60811-100:2012, *Câbles électriques et à fibres optiques – Méthodes d'essai pour les matériaux non-métalliques – Partie 100: Généralités*

CEI 60811-201, *Câbles électriques et à fibres optiques – Méthodes d'essai pour les matériaux non-métalliques – Partie 201: Essais généraux – Mesure de l'épaisseur des enveloppes isolantes*

CEI 60811-202, *Câbles électriques et à fibres optiques – Méthodes d'essai pour les matériaux non-métalliques – Partie 202: Essais généraux – Mesure de l'épaisseur des gaines non-métalliques*

CEI 60811-203, *Câbles électriques et à fibres optiques – Méthodes d'essai pour les matériaux non-métalliques – Partie 203: Essais généraux – Mesure des dimensions extérieures*

CEI 60811-401, *Câbles électriques et à fibres optiques – Méthodes d'essai pour les matériaux non-métalliques – Partie 401: Essais divers – Méthodes de vieillissement thermique – Vieillissement en étuve à air*

CEI 60811-404, *Câbles électriques et à fibres optiques – Méthodes d'essai pour les matériaux non-métalliques – Partie 404: Essais divers – Essais de résistance à l'huile minérale pour les gaines constituées de mélanges réticulés*

CEI 60811-606, *Câbles électriques et à fibres optiques – Méthodes d'essai pour les matériaux non-métalliques – Partie 606: Essais physiques – Méthodes de détermination de la masse volumique*

3 Termes et définitions

Pour les besoins du présent document, les termes et définitions donnés dans la CEI 60811-100, ainsi que les termes et définitions suivants, s'appliquent.

3.1

force maximale de traction

la plus forte valeur atteinte par la force, au cours de l'essai

3.2

contrainte de traction

force de traction par unité de surface de la section droite initiale de l'éprouvette non étirée

3.3

résistance à la traction

contrainte de traction maximale supportée par l'éprouvette au cours de l'essai de traction poursuivi jusqu'à la rupture

3.4

allongement à la rupture

accroissement de la longueur entre les marques de référence de l'éprouvette à la rupture, exprimé en pourcentage par rapport à la longueur entre les marques de référence de l'éprouvette non étirée

4 Méthode d'essai

4.1 Généralités

La présente partie de la CEI 60811 doit être utilisée conjointement avec la CEI 60811-100.

Sauf spécification contraire, avant tout essai, toutes les éprouvettes, vieilles ou non, doivent être conservées à une température de (23 ± 5) °C pendant au moins 3 h.

4.2 Enveloppe isolante

4.2.1 Généralités

Ces essais permettent de déterminer la résistance à la traction et l'allongement à la rupture du matériau isolant (à l'exclusion des couches semi-conductrices éventuelles) du câble dans l'état de livraison (c'est-à-dire sans aucun vieillissement) et, lorsque cela est exigé, après un ou plusieurs traitements de vieillissement thermique accéléré, prescrits dans la norme applicable au type de câble.

Lorsque le traitement de vieillissement est effectué sur des éprouvettes préparées (conformément à la CEI 60811-401), les éprouvettes destinées au vieillissement doivent être prélevées en position adjacente aux éprouvettes utilisées pour l'essai sans vieillissement, et les essais de traction sur les éprouvettes vieilles et non vieilles doivent être effectués immédiatement à la suite.

NOTE Lorsqu'il est nécessaire d'accroître la fiabilité de l'essai, il est recommandé d'effectuer des essais sur les éprouvettes vieilles et sur les éprouvettes non vieilles dans le même laboratoire, sur le même appareillage et par le même personnel utilisant la même méthode d'essai.

4.2.2 Echantillon

Un échantillon de chaque conducteur ou de l'enveloppe isolante de chaque conducteur en essai, d'une longueur suffisante, doit être prélevé. Chaque échantillon doit permettre de prélever au minimum cinq éprouvettes pour les essais de traction sans vieillissement et cinq éprouvettes pour chacun des vieillissements exigés, en tenant compte du fait qu'une longueur d'environ 100 mm est nécessaire pour la préparation de chaque éprouvette.

Les conducteurs des câbles méplats sans gaine ne doivent pas être séparés.

Pour cet essai, on ne doit utiliser aucun échantillon présentant des signes de détérioration mécanique.

4.2.3 Préparation et conditionnement des éprouvettes

a) Le conditionnement des éprouvettes doit être effectué comme suit:

1) Conditionnement à température élevée

NOTE 1 Le conditionnement à température élevée n'est pas un traitement de vieillissement. Il est utilisé afin de garantir la stabilité et l'homogénéité des éprouvettes lorsque cela est nécessaire. On l'emploie a) si la norme applicable au câble l'exige, ou b) en cas de doute ou de contestation au sujet d'un résultat et il est nécessaire de répéter l'essai. Dans les deux cas, le conditionnement s'applique exclusivement à l'éprouvette prélevée sur le câble avant tout traitement ultérieur (vieillissement, essai de compatibilité, résistance à l'huile, etc.).

Lorsqu'un conditionnement à température élevée est utilisé, un tel conditionnement doit être effectué comme suit:

- pour les éprouvettes en forme d'haltère,
 - (A) après avoir prélevé l'enveloppe isolante et enlevé les couches semi-conductrices éventuelles, mais avant le découpage des bandes;
 - (B) après le meulage (ou la coupe) pour obtenir des faces parallèles.
- Lorsque le meulage (ou la coupe) n'est pas nécessaire, le conditionnement doit être effectué à ce moment selon la procédure (A);
- pour les éprouvettes tubulaires, un tel conditionnement doit être effectué après le retrait de l'âme et de tout séparateur éventuel, mais avant le marquage des repères de référence, s'il y en a, pour la mesure de l'allongement.

Lorsque la norme applicable au câble prescrit un conditionnement à température élevée, celle-ci doit préciser la durée et la température de ce conditionnement. En cas de doute, l'essai doit être répété, le conditionnement doit être de 24 h à (70 ± 2) °C, ou bien à une température plus basse correspondant à la température maximale de fonctionnement de l'âme conductrice.

2) Conditionnement à température de la pièce

Avant détermination de la section, toutes les éprouvettes doivent être protégées du rayonnement solaire direct, et être maintenues pendant au moins 3 h à la température de (23 ± 5) °C sauf pour les matériaux d'isolation thermoplastique qui doivent être maintenus à (23 ± 2) °C.

b) Eprouvettes en forme d'haltère

Les éprouvettes en forme d'haltère doivent être utilisées chaque fois que cela est possible. Elles doivent être préparées à partir d'échantillons d'enveloppes isolantes fendues en long parallèlement à l'axe du conducteur, l'âme étant retirée au préalable.

Les couches semi-conductrices internes ou externes, si présentes, doivent être enlevées par un procédé mécanique, c'est-à-dire sans utiliser de solvant.

Chaque échantillon d'enveloppe isolante doit être coupé en tronçons de longueur appropriée. Ces tronçons doivent être repérés pour identifier leur origine et leurs positions respectives dans l'échantillon original.

Les tronçons de l'enveloppe isolante doivent être meulés ou coupés, afin d'obtenir deux faces parallèles lisses entre les traits de repère mentionnés ci-dessous, en prenant soin d'éviter un échauffement excessif. Un exemple de dispositif de coupe est donné à l'Annexe A. Pour l'isolation en polyéthylène (PE) ou en polypropylène (PP), seule la coupe doit être utilisée et non le meulage. Après la coupe ou le meulage, y compris le retrait des rayures éventuelles, l'épaisseur des bandes ne doit pas être inférieure à 0,8 mm ni supérieure à 2,0 mm. S'il n'est pas possible de préparer des échantillons d'essai en forme d'haltère conforme avec une épaisseur minimale de 0,8 mm, alors des échantillons de forme tubulaire doivent être utilisés. Si des échantillons de forme tubulaires ne peuvent être préparés, alors des échantillons en forme d'haltères plus fins que 0,8 mm seront utilisées, mais la vitesse d'écartement doit être de 25 mm/min.

NOTE 2 Il convient d'inclure également dans le rapport la non-conformité de l'échantillon d'haltère et que le résultat n'est qu'indicatif.

NOTE 3 Pour certains essais, une épaisseur minimale peut être exigée, par exemple pour l'essai de résistance à l'ozone (CEI 60811-403) et l'essai de résistance à l'huile minérale (CEI 60811-404).

Une éprouvette en forme d'haltère doit être découpée au moyen d'un poinçon (ou emporte-pièce), dont l'empreinte est conforme à la Figure 1, ou, si possible, deux éprouvettes en forme d'haltère doivent être découpées côte à côte.

Pour améliorer la fiabilité des résultats, il est recommandé de suivre les indications suivantes:

- l'emporte-pièce doit être très affûté pour réduire les imperfections dans l'éprouvette;
- un papier ou un autre support adapté doit être disposé entre la bande et la contre-plaque. Ce support doit être marqué, mais non complètement coupé par l'outil lorsque l'on découpe l'éprouvette;
- on doit éviter les bavures sur les côtés de l'éprouvette.

Dans le cas de matériaux pour lesquels la coupe entraîne des bavures, on peut utiliser la méthode ci-après:

- 1) l'emporte-pièce utilisé doit comporter à chaque extrémité du talon de l'éprouvette une encoche d'environ 2,5 mm de large et 2,5 mm de haut (voir Figure 3);
- 2) les éprouvettes ainsi découpées doivent rester solidaires, à leurs deux extrémités, de la bande préalablement préparée suivant les exigences de 4.2.3 b) (voir Figure 4);
- 3) à l'aide de la machine décrite à l'Annexe A, une nouvelle passe de 0,10 mm à 0,15 mm d'épaisseur peut raser les bavures éventuelles résultant du découpage à l'emporte-pièce. Lorsque cette opération est terminée, les éprouvettes en forme d'haltère doivent être coupées à leurs extrémités pour être détachées de la bande.

Si le diamètre du conducteur est trop petit pour permettre la découpe d'une éprouvette en forme d'haltère conforme à la Figure 1, une éprouvette en forme d'haltère plus petite, conforme à la Figure 2, doit être découpée dans chaque échantillon de l'enveloppe isolante.

La longueur centrale de 20 mm pour la plus grande éprouvette ou de 10 mm pour la plus petite, doit être délimitée par deux marques de référence sur chaque éprouvette, juste avant l'essai de traction.

NOTE 4 Lorsqu'un extensomètre à contact est utilisé, des mâchoires pré-réglées au niveau d'espacement exigé sont considérées comme une marque.

Des éprouvettes en forme d'haltère avec des extrémités incomplètes sont autorisées, pourvu que le point de rupture survienne entre les marques de référence.

c) Eprouvettes tubulaires

Les éprouvettes tubulaires doivent être utilisées uniquement lorsque les dimensions des conducteurs sont telles qu'il n'est pas possible de préparer des éprouvettes en forme d'haltère.

Les échantillons de conducteur doivent être découpés en morceaux d'environ 100 mm de long et l'on doit retirer tous les revêtements externes et l'âme, en prenant soin de ne pas endommager l'enveloppe isolante. Les éprouvettes tubulaires doivent être repérées pour identifier leur origine et leurs positions respectives dans l'échantillon.

Il peut être plus facile de retirer l'âme en employant une ou plusieurs des méthodes suivantes:

- 1) par allongement des âmes rigides;
- 2) par roulage soigneux du conducteur sous faible pression mécanique;
- 3) dans le cas d'âmes câblées ou souples, en retirant en premier un ou plusieurs des brins centraux.

Après extraction de l'âme, les séparateurs éventuels sont retirés. En cas de difficulté, l'une des opérations suivantes peut être réalisée:

- immersion dans l'eau, dans le cas de séparateurs en papier;

- immersion dans l'alcool éthylique, dans le cas de séparateurs en polytéréphtalate d'éthylène glycol (ou polyéthylène téréphtalate);
- roulement de l'enveloppe sur une surface lisse.

La partie centrale de 20 mm doit être délimitée juste avant l'essai de traction.

NOTE 5 Lorsqu'un extensomètre à contact est utilisé, des mâchoires pré réglées au niveau d'espacement exigé sont considérées comme une marque.

Lors de l'essai de traction, la présence de morceaux de séparateurs restés à l'intérieur de l'éprouvette peut se constater par des irrégularités d'allongement.

Dans de tels cas, on ne doit pas tenir compte des résultats.

4.2.4 Détermination de la section

a) Eprouvettes en forme d'haltère

La section de chaque éprouvette est le produit de la largeur commune prise pour le lot par l'épaisseur minimale mesurée pour chaque éprouvette; les valeurs des termes de ce produit doivent être déterminées comme suit.

Pour la largeur:

- la largeur commune est la largeur minimale de trois éprouvettes prélevées au hasard dans le lot;
- s'il y a doute sur la régularité de la largeur, celle-ci doit être mesurée en trois endroits sur la face supérieure et sur la face inférieure des trois éprouvettes. La moyenne des mesures faites sur la face supérieure et sur la face inférieure doit être calculée pour chaque endroit. La largeur commune doit être la valeur minimale des neuf valeurs moyennes déterminées sur les trois éprouvettes;
- en cas de contestation, la largeur est mesurée sur chaque éprouvette du lot.

Pour l'épaisseur:

- l'épaisseur de chaque éprouvette est la valeur minimale d'une série de trois mesures d'épaisseur effectuées dans la zone utile de l'éprouvette.

Les mesures doivent être effectuées à l'aide d'un instrument optique ou d'un micromètre à touches, dont la pression de contact ne dépasse pas 0,07 N/mm².

L'instrument doit être capable de mesurer l'épaisseur avec une erreur ne dépassant pas 0,01 mm, et la largeur avec une erreur ne dépassant pas 0,04 mm.

En cas de contestation, lorsque cela est techniquement possible, on doit utiliser un instrument optique. On peut également utiliser un micromètre à touches ayant une pression de contact maximale de 0,02 N/mm².

NOTE Il convient d'utiliser un micromètre avec une touche sphérique si la partie centrale de l'éprouvette haltère a conservé la courbure du matériau prélevé.

b) Eprouvettes tubulaires

Au milieu de l'échantillon ayant servi aux prélèvements des éprouvettes, on doit prélever un morceau permettant de déterminer la section, A , des éprouvettes, en millimètre carré, par l'une des méthodes suivantes. En cas de doute, la deuxième méthode b2) doit être utilisée.

b1) A partir des dimensions de la section, à l'aide de la formule:

$$A = \pi (D - \delta) \delta$$

où

δ est la valeur moyenne de l'épaisseur de l'enveloppe isolante en millimètres, déterminée comme spécifié dans la CEI 60811-201 et arrondie à deux décimales;

D est la valeur moyenne du diamètre extérieur de l'éprouvette, en millimètres, déterminée comme indiqué dans la méthode d'essai de la CEI 60811-203 et arrondie à deux décimales.

- b2) A partir de la masse volumique, de la masse et de la longueur, à l'aide de la formule:

$$A = \frac{1\,000\ m}{d \times l}$$

où

m est la masse de l'éprouvette, en grammes, avec trois décimales;

d est la masse volumique, mesurée suivant la CEI 60811-606 sur un échantillon supplémentaire de la même enveloppe isolante (sans vieillissement), en gramme par centimètre cube, avec trois décimales.

l est la longueur, en millimètres, avec une décimale.

- b3) A partir du volume et de la longueur, le volume étant déterminé par immersion dans l'alcool éthylique, par exemple, à l'aide de la formule suivante:

$$A = \frac{V}{l}$$

où

V est le volume, en millimètres cubes, avec deux décimales;

l est la longueur, en millimètres, avec une décimale.

On doit prendre soin d'éviter les bulles d'air dans l'éprouvette ou sur sa surface, pendant l'immersion.

- c) Séquence de détermination de la section et vieillissement

Les éprouvettes qui doivent être soumises à un vieillissement doit être déterminée avant l'essai de vieillissement, sauf si l'enveloppe isolante est vieillie en présence de l'âme.

- c) Eprouvettes qui doivent être soumises à un vieillissement

4.2.5 Traitement de vieillissement

Chaque traitement de vieillissement exigé doit être réalisé au minimum sur cinq éprouvettes (voir 4.2.2) conformément à la CEI 60811-401, dans les conditions spécifiées dans la norme applicable au type de câble considéré.

4.2.6 Mode opératoire de l'essai de traction

Le mode opératoire est le suivant:

- a) Température d'essai

L'essai doit être effectué à la température de (23 ± 5) °C. En cas de doute pour les enveloppes isolantes en matériaux thermoplastiques, l'essai doit être effectué à la température de (23 ± 2) °C.

- b) Distance entre les mâchoires et vitesse d'écartement

Les mâchoires de la machine de traction peuvent être du type autoserrant ou non.

La longueur totale entre les mâchoires doit être voisine de

- 34 mm pour les éprouvettes en forme d'haltère représentées à la Figure 2,
- 50 mm pour les éprouvettes en forme d'haltère représentées à la Figure 1,
- 50 mm pour les éprouvettes tubulaires essayées avec mâchoires autoserrantes,

- 85 mm pour les éprouvettes tubulaires essayées avec des mâchoires non autoserrantes.

La vitesse d'écartement, sauf pour les enveloppes isolantes en PE et PP, doit être de (250 ± 50) mm/min et, en cas de doute, de (25 ± 5) mm/min.

Pour le PE et PP, ou les enveloppes isolantes contenant ces matériaux, la vitesse d'écartement doit être de (25 ± 5) mm/min. Pour les essais de routine, des vitesses d'écartement jusqu'à (250 ± 50) mm/min sont autorisées.

c) Mesures

La force maximale de traction durant l'essai doit être mesurée et enregistrée et la distance entre les deux marques de référence, au moment de la rupture, doit être mesurée sur la même éprouvette.

On ne doit pas tenir compte des mauvais résultats obtenus sur des éprouvettes rompues à la suite d'une détérioration provoquée par les mâchoires; dans ce cas, on doit obtenir au moins quatre résultats valables pour calculer la résistance à la traction et l'allongement à la rupture; dans le cas contraire, l'essai doit être répété.

4.2.7 Expression des résultats

On calcule la résistance à la traction et l'allongement à la rupture conformément aux définitions données respectivement en 3.3 et 3.4.

La valeur médiane des résultats obtenus doit être déterminée.

4.3 Gaine

4.3.1 Généralités

Ces essais consistent à déterminer la résistance à la traction et l'allongement à la rupture des matériaux de gainage de câbles en l'état de livraison (c'est-à-dire sans traitement de vieillissement) et, lorsque cela est exigé, après un ou plusieurs traitements de vieillissement accéléré, prescrits dans la norme applicable au câble.

Lorsque le traitement de vieillissement doit être effectué sur des éprouvettes préparées (conformément à la CEI 60811-401 ou à la CEI 60811-404), ces éprouvettes doivent être prélevées près de celles qui ne subissent pas le vieillissement et les essais de traction doivent être effectués immédiatement à la suite sur les éprouvettes vieilles et non vieilles.

NOTE Lorsqu'il est nécessaire d'accroître la fiabilité de l'essai, il est recommandé d'effectuer des essais sur les éprouvettes vieilles et sur les éprouvettes non vieilles dans le même laboratoire, sur le même appareillage et par le même personnel utilisant la même méthode d'essai.

4.3.2 Echantillon

Un échantillon du câble en essai, ou de la gaine séparée du câble, d'une longueur suffisante, doit être prélevé. Chaque échantillon doit permettre le prélèvement d'au moins cinq éprouvettes non vieilles pour les essais de traction et du nombre exigé d'éprouvettes pour chacun des essais de traction après vieillissement, prescrits pour le matériau de gainage dans la norme applicable au type de câble considéré, en tenant compte du fait qu'une longueur d'environ 100 mm est nécessaire pour la préparation de chaque éprouvette.

Pour ces essais, on ne doit utiliser aucun échantillon présentant des signes de détérioration mécanique.

4.3.3 Préparation et conditionnement des éprouvettes

Les éprouvettes doivent être préparées à partir d'échantillons de gaine, de la même manière que celle spécifiée en 4.2.3.

Pour la préparation des éprouvettes en forme d'haltère, on doit couper longitudinalement un tronçon dans la gaine. Tous les autres constituants du câble doivent être retirés du tronçon. Si la gaine présente des rainures ou des empreintes, on doit les éliminer par coupe ou par meulage. Pour les gaines en PE, PP et matériaux associés, seule la coupe est autorisée.

NOTE Pour les gaines en PE, l'épaisseur de l'éprouvette en forme d'haltère peut ne pas être ramenée à 2,0 mm, lorsque l'épaisseur totale de la gaine est plus importante, pourvu que l'éprouvette soit lisse sur les deux surfaces.

Dans la préparation des éprouvettes tubulaires, tous les constituants du câble se trouvant sous la gaine, y compris les conducteurs, les bourrages et les revêtements intérieurs, doivent être retirés.

Pour le conditionnement des éprouvettes, voir 4.2.3 a).

4.3.4 Détermination de la section

La section de chaque éprouvette doit être déterminée par la méthode spécifiée en 4.2.4, pour les enveloppes isolantes, avec les modifications suivantes pour les éprouvettes tubulaires:

- l'épaisseur et le diamètre de la gaine, mesurés conformément à la CEI 60811-202 pour l'épaisseur, et à la CEI 60811-203 pour le diamètre, doivent être utilisés pour l'application de la méthode b1) de 4.2.4;
- la masse volumique doit être mesurée sur un échantillon supplémentaire de la même gaine dans le cas de la méthode b2) de 4.2.4.

NOTE Il convient de ne pas utiliser la méthode b2) pour les matériaux multicouches. Les méthodes b1) et b3) sont applicables aux matériaux multicouches.

4.3.5 Traitement de vieillissement

Chaque traitement de vieillissement exigé doit être effectué sur cinq éprouvettes au minimum (voir 4.3.2) conformément à la CEI 60811-401, et conformément aux conditions spécifiées dans la norme applicable au câble.

4.3.6 Mode opératoire de l'essai de résistance à la traction

Conformément aux modalités de 4.2.6.

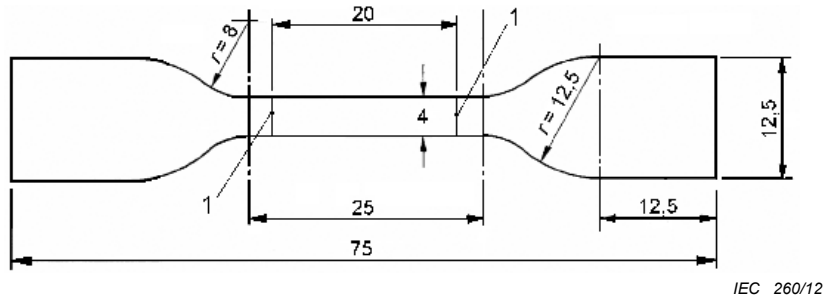
4.3.7 Expression des résultats

Conformément aux modalités de 4.2.7.

5 Rapport d'essai

Le rapport d'essai doit être conforme aux spécifications de la CEI 60811-100.

Dimensions en millimètres

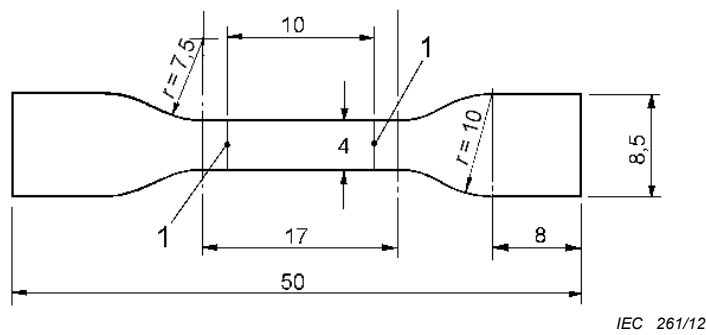


Légende

1 trait de repère

Figure 1 – Epreuve en forme d’haltère

Dimensions en millimètres



Légende

1 trait de repère

Figure 2 – Petite épreuve en forme d’haltère

Dimensions en millimètres

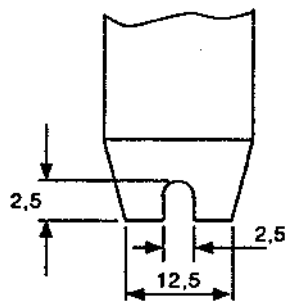
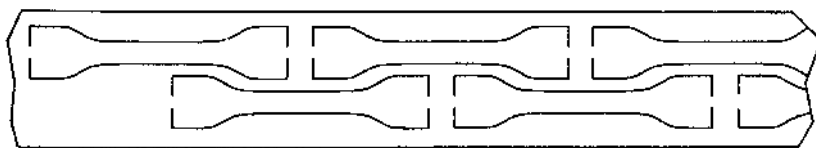


Figure 3 – Emporte-pièce et encoche



IEC 266/12

Figure 4 – Eprouvettes découpées à l'emporte-pièce

Annexe A (informative)

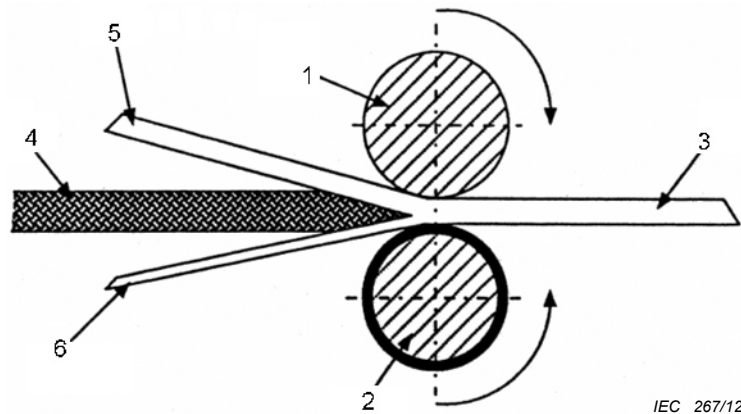
Principe de fonctionnement d'une machine type pour la préparation des éprouvettes

Deux rouleaux, le premier (1), en acier, partiellement rainuré, le second (2), en acier caoutchouté, entraînant la bande (3) contre une lame (4) fixe ou mobile, dont l'affûtage est très poussé (qualité scalpel de chirurgie).

La bande est ainsi découpée longitudinalement en deux: la partie (5) dans laquelle l'éprouvette est découpée et le copeau (6), qui est rejeté.

NOTE L'épaisseur du copeau (6) peut être limitée à 0,1 mm, si nécessaire. (Pour cela, il convient de veiller au comportement des matériaux et au maintien de l'affûtage de la lame.)

Si, de plus, la bande (3) présente des traces d'arrachement ou d'éraflures, qui sont autant d'amorces de ruptures, il est recommandé d'araser les deux faces et donc de retrancher ce copeau (6) des deux côtés.



Légende

- | | | | |
|---|--|---|---|
| 1 | rouleau en acier partiellement rainuré | 4 | lame fixe ou mobile |
| 2 | rouleau en acier caoutchouté | 5 | partie dans laquelle l'âme est découpée |
| 3 | bande | 6 | partie non utilisée |

Figure A.1 – Machine pour la préparation des éprouvettes

Bibliographie

CEI 60811-1-1:1993, *Méthodes d'essais communes pour les matériaux d'isolation et de gainage des câbles électriques – Partie 1: Méthodes d'application générale – Section 1: Mesure des épaisseurs et des dimensions extérieures – Détermination des propriétés mécaniques*
(retirée)

INTERNATIONAL
ELECTROTECHNICAL
COMMISSION

3, rue de Varembé
PO Box 131
CH-1211 Geneva 20
Switzerland

Tel: + 41 22 919 02 11
Fax: + 41 22 919 03 00
info@iec.ch
www.iec.ch